

Double fulcrum hinge

For door weights up to 9,6kg

Applications

✓
Ovens

Geometry

✓
Footprint: W, H, L
Fulcrum position (respect to the base): X, Y
Parallel dimension (between base and receiver): Q

Technical features

✓
Fulcrum position - Rotation X=41mm Y=147mm
Parallel dimension (between base and receiver) Q: 10.6mm
Footprint: W=27mm, H=230mm, L=76.1mm
Type of fixing: frontal

Functionality

✓
Balancing: 20 - 90°
Closing forces: 20 - 60 N depending on the application and customer needs
Broil position: available at 20°
Pre-load position: available at 85°

Removability

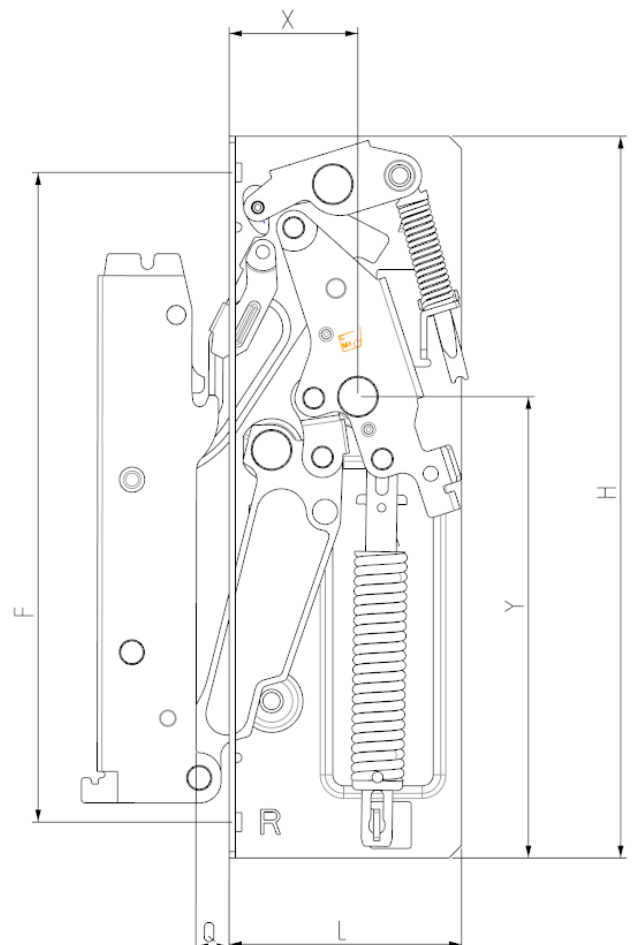
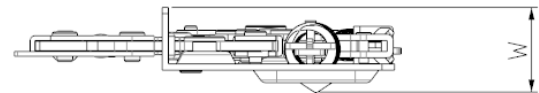
✓
Using the extraction hook on the lever (door in safety position) and pushing on the other hook on the lever inside the receiver.

Performance

✓
Operating temperature: 130°C
Resistance to static load: till 34kg
Dynamic test: till 20k cycles

Receiver

✓
Distance between holes for fixing F= 207mm
Possibility of lateral fixings: no
Possibility for the customer to define his own receiver or integrate it with the oven structure



C.M.I. Cerniere Meccaniche Industriali s.r.l.

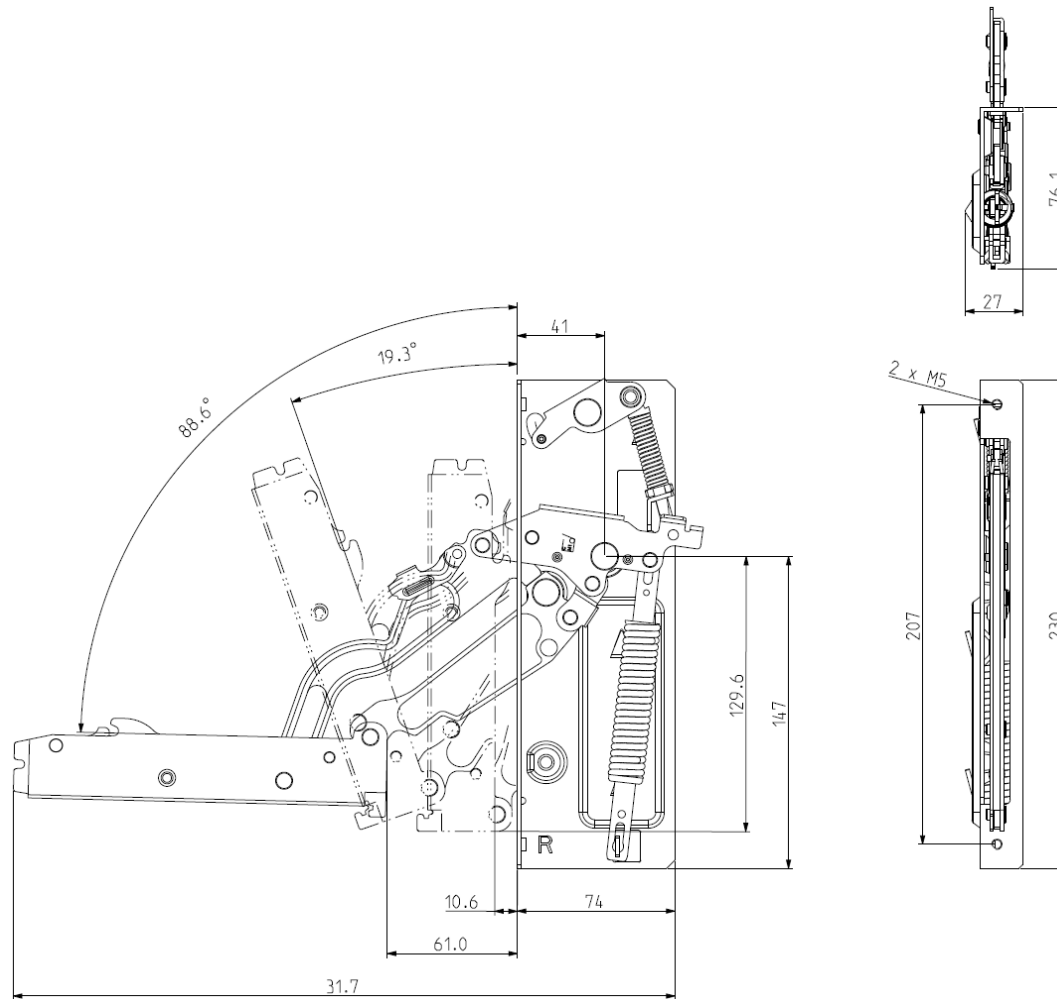
Via 2 Agosto 1980, 1/D, Località Crespellano - 40053 Valsamoggia (BO), Italia

Tel. +39 051 6713411 - Fax +39 051 969940 - www.cmi-hinges.com

Capitale sociale i.v. Euro 1.000.000 - Registro imprese di Bologna: 50450 - N.REA: BO 318209

2D Drawing

✓
The following drawing shows the main functional dimensions.
Possibility of customized designs based on customer needs



C.M.I. Cerniere Meccaniche Industriali s.r.l.

Via 2 Agosto 1980, 1/D, Località Crespellano - 40053 Valsamoggia (BO), Italia

Tel. +39 051 6713411 - Fax +39 051 969940 - www.cmi-hinges.com

Capitale sociale i.v. Euro 1.000.000 - Registro imprese di Bologna: 50450 - N.REA: BO 318209