

Sliding hinge

For door weights up to 15Kg

Applications

✓
Dishwashers

Geometry

✓
Footprint: W, H, L

Technical features

✓
Footprint: W=101,6mm, H=25,7mm, L=212mm
Type of fixing: the hinge is hooked to the support by “clip” and two holes M5 between the hinge and the door.
Primitive tie-rod: \varnothing 46.5 module 2
Total sliding: 45.9mm at 88 degree

Functionality

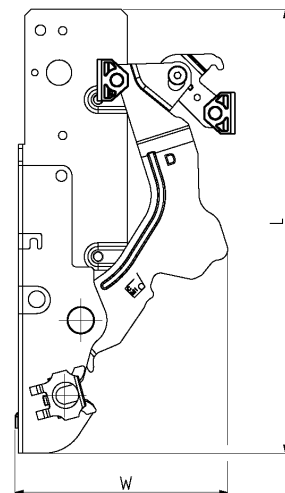
✓
Balancing: 0 - 88°
Automatic door opening function: available on customer request
Opening force: 30 - 50N depending on the weight of the panel
Pre-load position: available at 33°

Removability

✓
Through two M5 screws

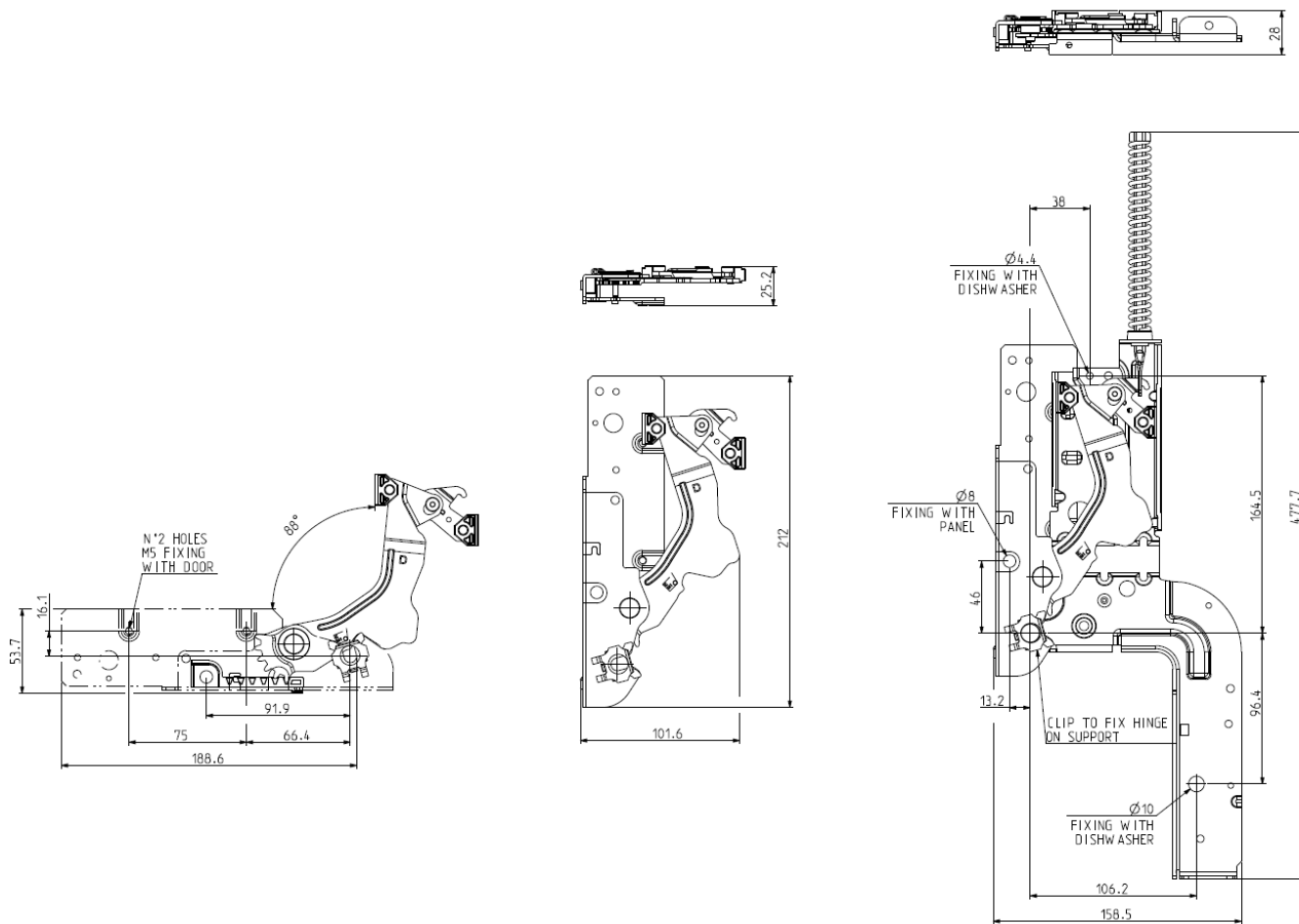
Performance

✓
Resistance to static load: till 30Kg
Dynamic test: till 50k cycles



2D Drawing

The following drawing shows the main functional dimensions.
Possibility of customized designs based on customer needs



C.M.I. Cerniere Meccaniche Industriali s.r.l.

Via 2 Agosto 1980, 1/D, Località Crespellano - 40053 Valsamoggia (BO), Italia

Tel. +39 051 6713411 - Fax +39 051 969940 - www.cmi-hinges.com

Capitale sociale i.v. Euro 1.000.000 - Registro imprese di Bologna: 50450 - N.REA: BO 318209