

Single fulcrum hinge

For door weights up to 11Kg

Applications

✓
Ovens

Geometry

✓
Footprint: W, H, L
Fulcrum position (respect to the base): X, Y
Parallel dimension (between base and receiver): Q

Technical features

✓
Fulcrum position - Rotation X=16.8mm Y=5.2mm
Parallel dimension (between base and receiver) Q: 20.8mm
Footprint: W=23.2mm, H=22mm, L=214mm
Type of fixing: lateral

Functionality

✓
Balancing: 0° / 20° - 87°
Closing forces: 30 - 50N depending on the application
Pre-load position: available at 45°

Removability

✓
Using the extraction hook with the door open

Performance

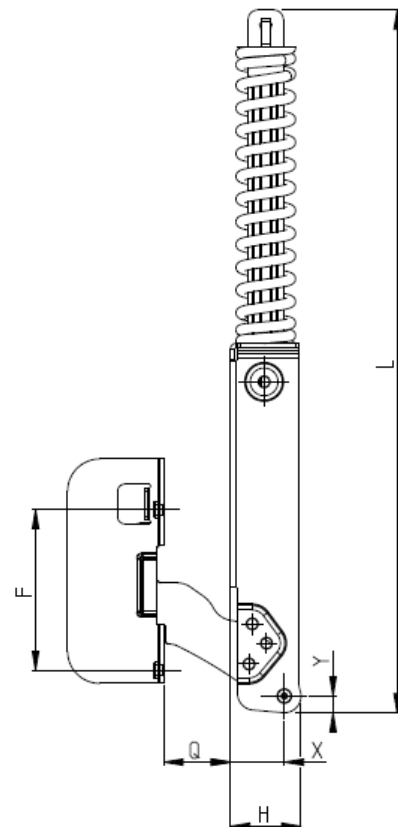
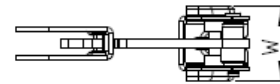
✓
Operating temperature: 120°C

Compliance

✓
Hinge complies with VDE anti-crushing regulations

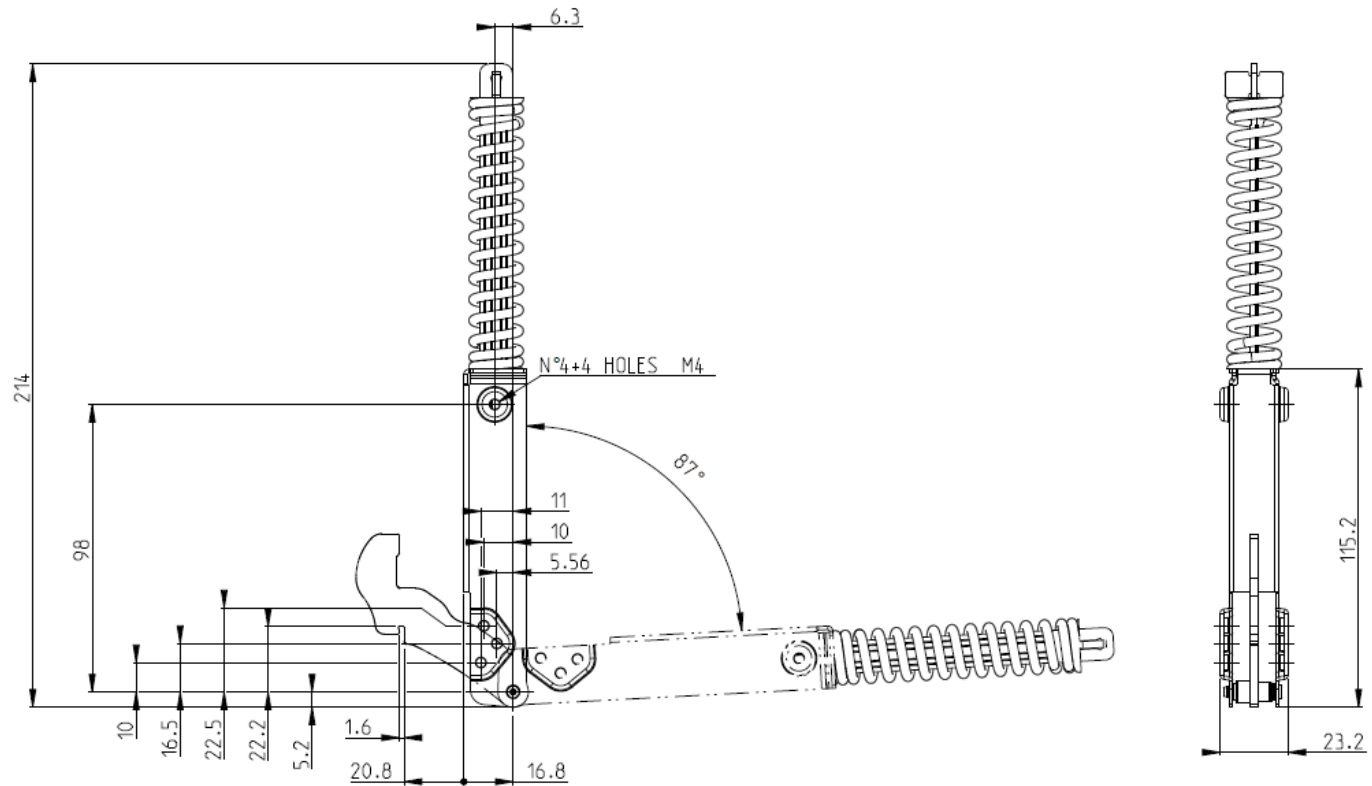
Receiver

✓
Distance between holes for fixing F= 50.3mm
Possibility of lateral fixings: no
Possibility for the customer to define his own receiver or integrate it with the oven structure



2D Drawing

✓
The following drawing shows the main functional dimensions.
Possibility of customized designs based on customer needs



C.M.I. Cerniere Meccaniche Industriali s.r.l.

Via 2 Agosto 1980, 1/D, Località Crespellano - 40053 Valsamoggia (BO), Italia

Tel. +39 051 6713411 - Fax +39 051 969940 - www.cmi-hinges.com

Capitale sociale i.v. Euro 1.000.000 - Registro imprese di Bologna: 50450 - N.REA: BO 318209