

Double fulcrum hinge

For door weights up to 18Kg

Applications

✓
Dishwashers

Geometry

✓
Footprint: W, H, L
Fulcrum position (respect to the base): X, Y

Technical features

✓
Fulcrum position (respect to the upper fixing point)
X=73,4mm Y=138,6mm
Footprint: W=101,6mm, H=36,8mm, L=303,4mm
Type of fixing: Two frontal holes to fix the hinge to the dishwasher, and two holes M5 between the hinge and the door.

Functionality

✓
Balancing: 0 - 88°
Automatic door opening function: available on customer request
Opening force: 30 - 50N depending on the weight of the panel
Pre-load position: available at 33°

Removability

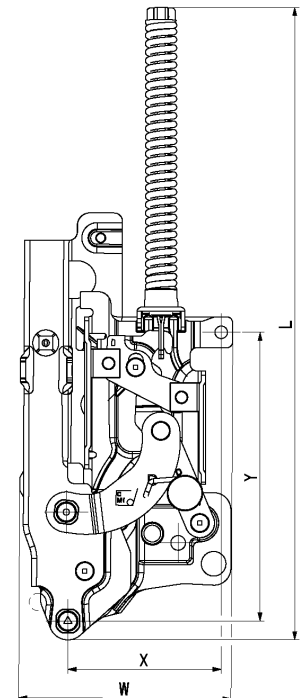
✓
Through two M5 screws

Performance

✓
Resistance to static load: till 25Kg
Dynamic test: till 25k cycles

Compliance

✓
Hinge complies with VDE anti-crushing regulations



2D Drawing

The following drawing shows the main functional dimensions.
Possibility of customized designs based on customer needs

