

Single fulcrum hinge

For door weights up to 14Kg

Applications

✓
Ovens

Geometry

✓
Footprint: W, H, L
Fulcrum position (respect to the base): X, Y
Parallel dimension (between base and receiver): Q

Technical features

✓
Fulcrum position - Rotation X=18mm Y=7.2mm
Parallel dimension (between base and receiver) Q: 14.6mm
Footprint: W=21.5mm, H=23mm, L=243mm
Type of fixing: upper and frontal holes

Functionality

✓
Balancing: 7 - 85°
Closing forces: 20 - 40N depending on the application and customer needs
Pre-load position: available at 46°

Removability

✓
Using the extraction hook with the door open

Performance

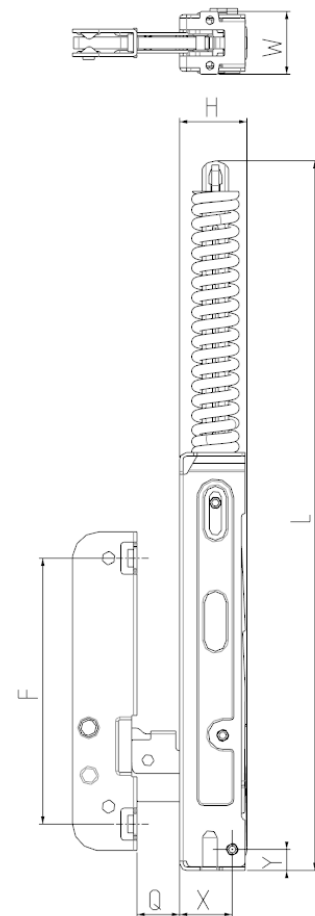
✓
Operating temperature: 130°C
Resistance to static load: till 11.5Kg
Dynamic test: till 18k cycles

Compliance

✓
Hinge complies with VDE anti-crushing regulations

Receiver

✓
Distance between holes for fixing F= 91mm
Possibility of lateral fixings: no
Possibility for the customer to define his own receiver or integrate it with the oven structure



2D Drawing

✓
The following drawing shows the main functional dimensions.
Possibility of customized designs based on customer needs

